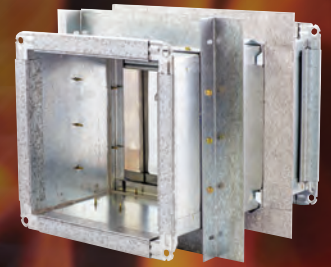
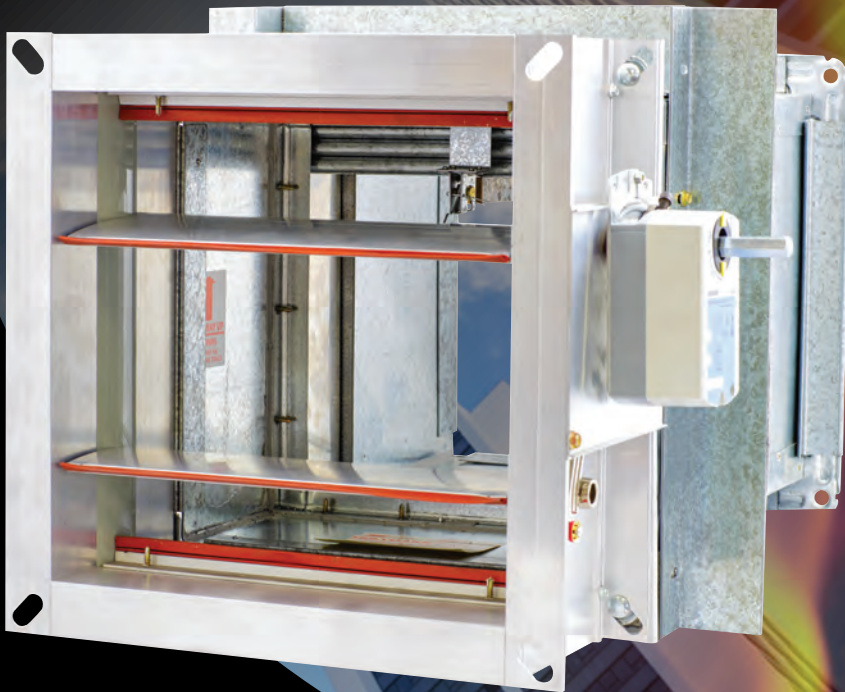


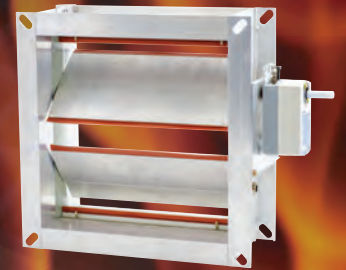


HOLYOAKE
AIR MANAGEMENT SOLUTIONS

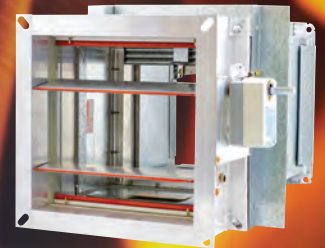
Fire PROTECTION Series



Fire Seal Damper



Motorised Smoke Damper



Combination Fire/Smoke Damper



Circular Fire Smoke Damper



Motorised Fire Damper

Complete range for all applications

Square, rectangular and circular fire and smoke dampers for isolation of duct penetrations between fire compartments and smoke control applications

- Nominal sizes in 1mm increments
- Multi-compartmental sizes
- Leakage rates of $<100\text{l/s/m}^2$ at 300pa
- Universal installation options
- Clear Air Stream options available
- 60, 90, 120 and 240hr FRL rated products
- AS 1530.4 2014 Certified
- AS 1682.1 2015
- Electric Actuators 24V / 230V

holyoake.com

Fire PROTECTION Series

GENERAL INFORMATION

Application

Holyoake Fire Seal, Smoke and Fire Control Damper series are compliant with all current Australian fire safety standards for the isolation of fire propagation and the control of smoke.

Standard Compliance

AS 1668.1 2015
 AS 1682.1 2015
 AS 1682.2 2015
 AS 1530.4 2014
 AS 1530.7 2007
 AS 1851 2012



Composition

IBDS-FS Curtain Fire Damper - Fire and Smoke Isolation Damper
HFR-146 Fire Control Damper - Motorised Fire Control Damper
LR Series Circular Fire Damper - Fire and Smoke Isolation Damper
HCD150-ET Smoke Seal Damper - Smoke Control Damper
IBDFS-ET Combination Motorised Fire and Smoke Isolation Damper

Construction Features

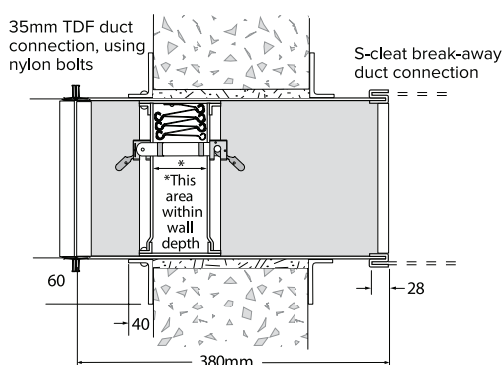
Rollform galvanised steel frames
 Rollform interlocking profile, galvanised steel blades
 Press fitted ball race bearing
 Stainless Steel control shafts
 71° fusible link (variations available)
 6063 T5 Extruded aluminium frames and blades
 Stainless Steel axles and cranks
 Two piece engineered Acetal bearing (-8°C to 210°C)
 Opposed or parallel blade rotation
 High temperature blade seal 225°

Fire Rating

All Holyoake Fire Dampers are certified with a 4 hour rating in accordance with Standard AS 1530.4. For the purpose of the Australian and New Zealand Building Code they have a F.R.L./F.R.R. of -/240/-

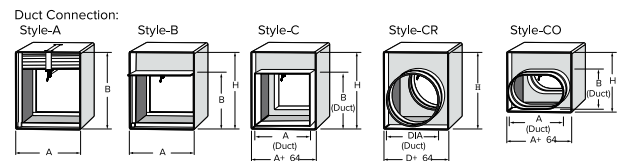
Duct Connection

- S-Cleat RE
- 35mm TDF



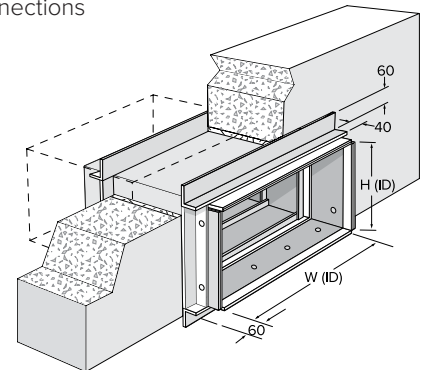
IBD-FS Series

Fire Seal Fire Dampers



IBD-FS Series Construction Styles

- Style A Standard
- Style B Fire curtain removed from air stream
- Style C Fire curtain removed from air stream with duct connections
- Style CR Fire curtain removed from air stream with circular connections
- Style CO Fire curtain removed from air stream with oval duct connections



Standard Sleeve Length

1. 380mm to suit penetrations 79-230mm
2. 520mm to suit penetrations >230mm up to 370mm

Service Test Latch

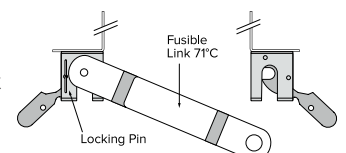
Fire Damper must be tested in accordance with AS 1851 2012 (section 18)

The Holyoake IBD Fire Seal Fire Dampers include specially designed fusible link housing and test latch. When the test latch is triggered, the fusible link swings clear and allows the fire curtain to close, simulating the fusible link being released under fire.



Once the operational test has been conducted the fire curtain can be restacked and the fusible link reset.

This test procedure is fast and effective.

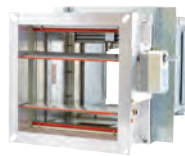


Fire PROTECTION Series

TECHNICAL DATA



IBD-FS
Fire Seal
Fire Damper



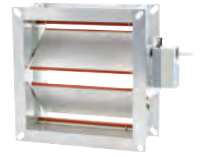
IBDFS/ET
Combination
Motorised Fire
Smoke Damper



HFSR-146
Motorised
Fire Damper



LR
Combination
Fire Smoke
Damper



HCD150-ET
Smoke Damper

		IBD-FS Fire Seal Fire Damper	IBDFS/ET Combination Motorised Fire Smoke Damper	HFSR-146 Motorised Fire Damper	LR Combination Fire Smoke Damper	HCD150-ET Smoke Damper
Application	Fire	■	■	■	■	—
	Smoke	—	■	—	■	■
	Fire/Smoke	—	■	—	■	—
	Fire Control	—	■	■	■	—
Product Type	Curtain	■	■	—	—	—
	Blade	—	■	■	■	■
	Motorised	—	■	■	■	■
	Fusible Link	■	■	■	■	—
Fire Rating F.R.L.	60 Minute	■	■	■	■	—
	90 Minute	■	■	■	■	—
	120 Minute	■	■	■	■	—
	240 Minute	■	■	■	■	—
Orientation	Vertical	■	■	■	■	■
	Horizontal	■	■	■	■	■
Installation	Speed Wall	■	■	■	■	—
	Masonry	■	■	■	■	—
	Fire Wall >90mm	■	■	■	■	—
	Duct Mount 0-600mm	—	—	—	—	■
Standard Compliance	AS 1530.4 2014	■	■	—	■	—
	AS 1530.4 1997	—	—	■	—	—
	AS 1530.7 2007	—	■	—	■	■
	AS 1682.1 2015	■	■	■	■	■
	AS 1668.1 2015	■	■	■	■	■





- No fire wrap installation
- Rapid speed drive fixing
- Multi compartmental
- High temperature seals
- Service test latch
- Standard sleeve lengths
- Range of construction styles
- Certified to AS 1530.4 2014
- Reduced onsite labour

HEAD OFFICE - NEW ZEALAND
Auckland Office & Factory
 67-69 Greenmount Drive, East Tamaki
 Auckland 2013 New Zealand
 PO Box 58-479 Botany
 Manukau 2163 Auckland NZ
 Tel +64 9 274 4144
 Fax +64 9 274 4288
 Email auckland@holyoake.com

Wellington Office & Factory
 89 Main Road, Tawa
 Wellington 5028 New Zealand
 PO Box 51-038 Tawa
 Wellington 5249 New Zealand
 Tel +64 4 232 2722
 Fax +64 4 232 2822
 Email wellington@holyoake.com

Christchurch Office & Factory
 27 Waller Terrace, Addington
 Christchurch 8011 New Zealand
 PO Box 632 Christchurch Mail Centre
 Christchurch 8140 New Zealand
 Tel +64 3 366 6545
 Fax +64 3 366 6665
 Email christchurch@holyoake.com

AUSTRALIA
Melbourne Office & Factory
 95 Redwood Drive, Dingley
 Victoria 3172 Australia
 PO Box 195, Braeside
 Victoria 3195 Australia
 Tel +61 3 9551 5022
 Fax +61 3 9551 8414
 Email melbourne@holyoake.com

Sydney Office & Factory
 12 Butterfield Street, Blacktown
 NSW 2148 Australia
 Tel +61 2 9620 9555
 Fax +61 2 9624 8226
 Email sydney@holyoake.com

Brisbane Office & Factory
 5 Program Street, Yatala
 Queensland 4207 Australia
 PO Box 6061 Yatala
 Queensland 4207 Australia
 Tel +61 7 3807 7111
 Fax +61 7 3807 7800
 Email brisbane@holyoake.com

Adelaide Office & Factory
 86 Hardys Road, Torrensville
 Adelaide SA 5031 Australia
 Tel +61 8 8354 1580
 Fax +61 8 8354 1586
 Email adelaide@holyoake.com

Perth Office
 Level 28 AMP Tower
 140 St Georges Terrace
 Perth WA 6000 Australia
 Tel +61 8 8354 1580
 Fax +61 8 8354 1586
 Email perth@holyoake.com



HOLYOAKE
 AIR MANAGEMENT SOLUTIONS



- No fire wrap installation
- Rapid speed drive fixing
- Multi compartmental
- High temperature seals
- Service test latch
- Standard sleeve lengths
- Range of construction styles
- Certified to AS 1530.4 2014
- Reduced onsite labour

HEAD OFFICE - NEW ZEALAND
Auckland Office & Factory
 67-69 Greenmount Drive, East Tamaki
 Auckland 2013 New Zealand
 PO Box 58-479 Botany
 Manukau 2163 Auckland NZ
 Tel +64 9 274 4144
 Fax +64 9 274 4288
 Email auckland@holyoake.com

Wellington Office & Factory
 89 Main Road, Tawa
 Wellington 5028 New Zealand
 PO Box 51-038 Tawa
 Wellington 5249 New Zealand
 Tel +64 4 232 2722
 Fax +64 4 232 2822
 Email wellington@holyoake.com

Christchurch Office & Factory
 27 Waller Terrace, Addington
 Christchurch 8011 New Zealand
 PO Box 632 Christchurch Mail Centre
 Christchurch 8140 New Zealand
 Tel +64 3 366 6545
 Fax +64 3 366 6665
 Email christchurch@holyoake.com

AUSTRALIA
Melbourne Office & Factory
 95 Redwood Drive, Dingley
 Victoria 3172 Australia
 PO Box 195, Braeside
 Victoria 3195 Australia
 Tel +61 3 9551 5022
 Fax +61 3 9551 8414
 Email melbourne@holyoake.com

Sydney Office & Warehouse
 12 Butterfield Street, Blacktown
 NSW 2148 Australia
 Tel +61 2 9620 9555
 Fax +61 2 9624 8226
 Email sydney@holyoake.com

Brisbane Office & Factory
 5 Program Street, Yatala
 Queensland 4207 Australia
 PO Box 6061 Yatala
 Queensland 4207 Australia
 Tel +61 7 3807 7111
 Fax +61 7 3807 7800
 Email brisbane@holyoake.com

Adelaide Office & Factory
 86 Hardys Road, Torrensville
 Adelaide SA 5031 Australia
 Tel +61 8 8354 1580
 Fax +61 8 8354 1586
 Email adelaide@holyoake.com

Perth Office
 Level 28 AMP Tower
 140 St Georges Terrace
 Perth WA 6000 Australia
 Tel +61 8 8354 1580
 Fax +61 8 8354 1586
 Email perth@holyoake.com



HOLYOAKE
 AIR MANAGEMENT SOLUTIONS